

CUSTOMIZABLE MOTORIZED TRAVELING

SPIRIT **DOLLY**

Push the limits of creativity

SPIRIT DOLLY is a versatile rail system that allows you to create the smoothest shots with the most flexibility both for indoor and outdoor events.

With our versatile, flexible rail based configurations DOLLY can be used with rigid rails (straight or curved) or a flexible rail which attaches directly to the ground.

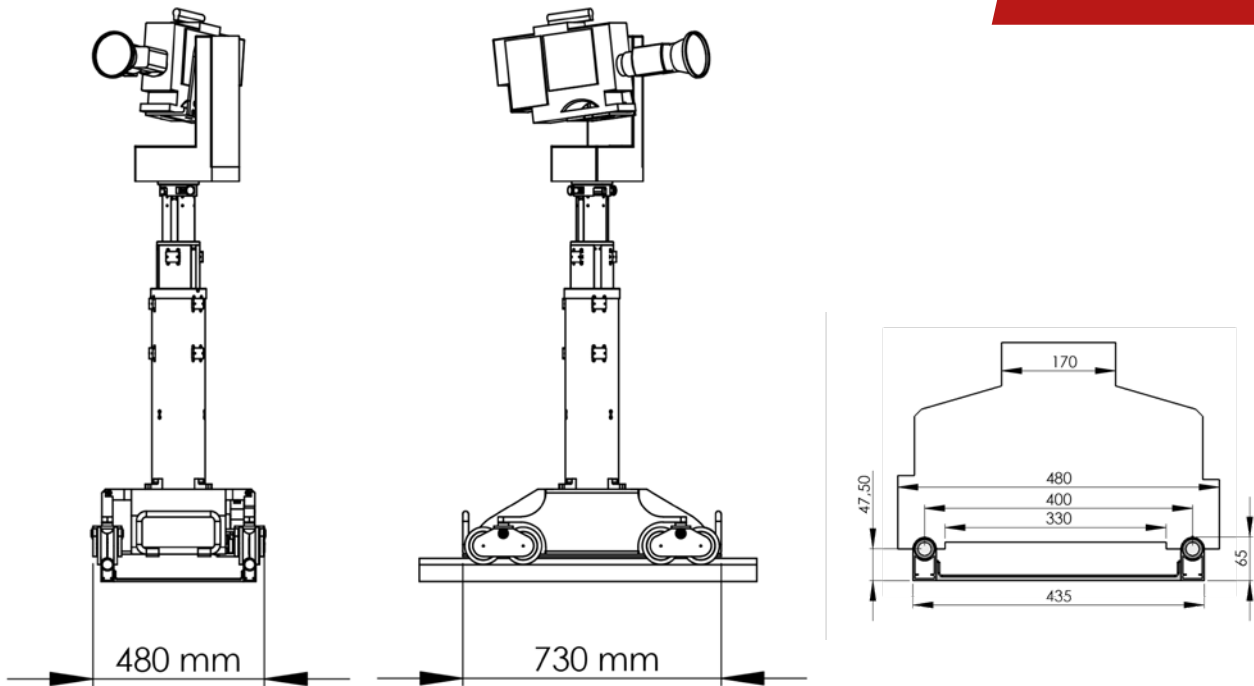
All speed, acceleration, and travel parameters are adjustable depending on your needs.

With a telescopic column, SPIRIT Lift, and a SPIRIT Head on top of it, you get a complete traveling system for achieving breathtaking shots.

SPIRIT

www.multicam-systems.com

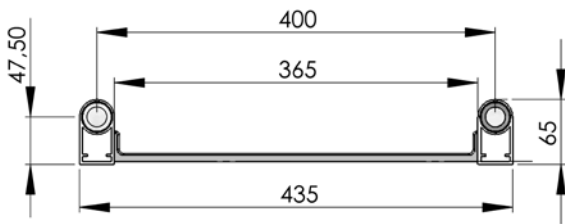
multiCAM
systems



Technical specifications

Encoder	Incremental / Track Encoded
Resolution	1505 Counts/cm
Accuracy	0.000664 cm
Travel	14 Km
Max Velocity	0.88 m/s (Soft limited) Max theoretical 3.3 m/s
Torque	9,77 Nm
Remote control	IP with Web interface, SPIRIT Joystick, multiCAM Suite, UDP (SPIRIT protocol)
Genlock	Black Burst / Tri-Level
Compatibility	SPIRIT Lift
Tracking	Free-D (encoding data or auto-tracking with AR pack)
Network	3x RJ45 (Dolly+Lift+Head)
Power IN	24Vdc 8A
Power OUT	12Vdc 5A (XLR 4 points for camera) 24Vdc (XLR 3 points for HEAD) 220Vdc (PC)
Dimensions	730mm x 480MM x 210mm
Weight	35kg

RAILS



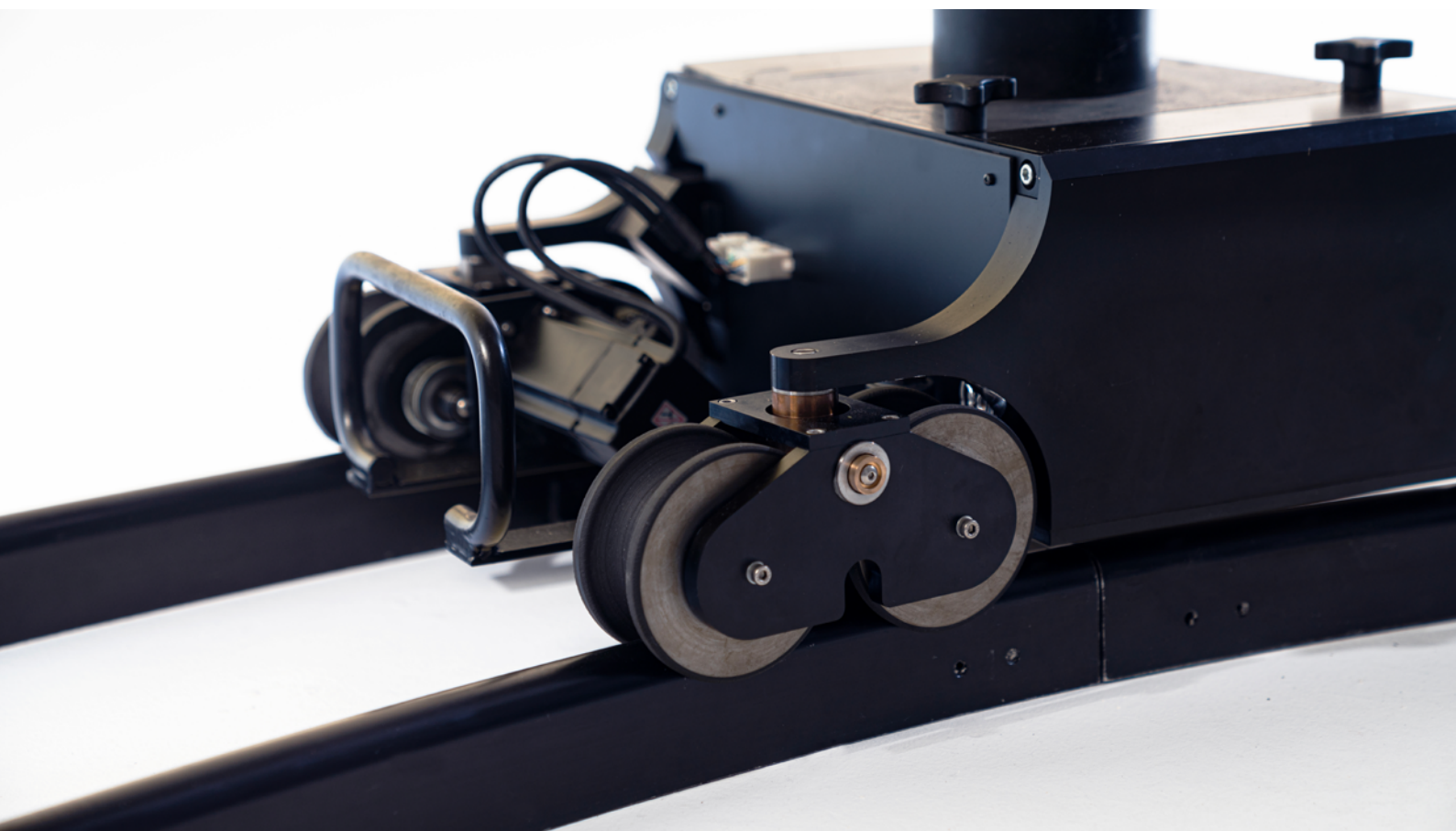
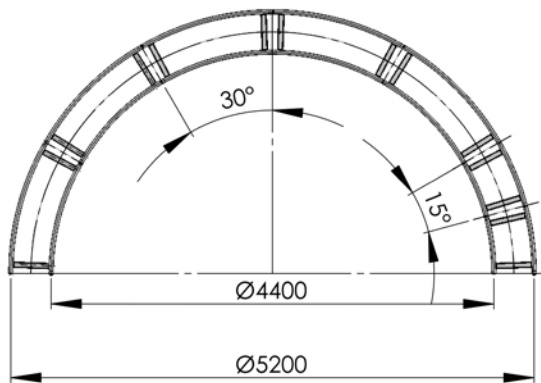
Straight sections

We can custom make any length, but usually we use two section lengths: 90cm and 1m80.

Curved sections

The sections exist with different curvatures (11.25 degrees, 15 degrees, 22.5 degrees, 30 degrees). This allows for the following configurations:

- 2,2 - 2,6m radius
- 3 - 3,4m radius
- 3,4 - 3,8m radius
- 5 - 5,4m radius



ROBOTIC HEAD FOR BROADCAST CAMERAS

SPIRIT HEAD

Remote control advanced camera gears

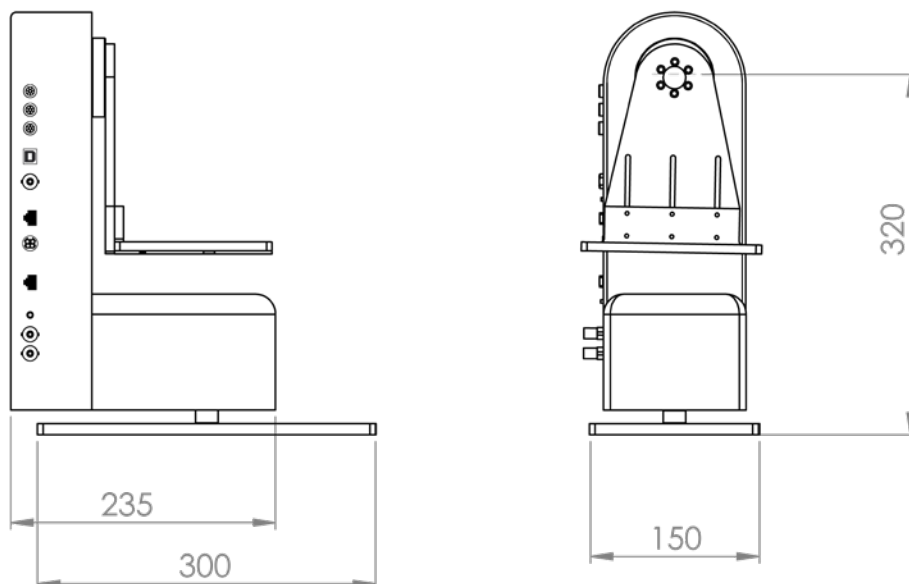


SPIRIT HEAD our line of robust, precision designed remote heads that support a camera/optics pair weighing up to 12 kg (26 lbs).

All the camera and optical unit hardware is contained in one area of the unit with a variety of connector options available.

SPIRIT HEAD comes in different sizes to fit various camera units.

HEAD



(Modèle présenté : L)

Technical specifications

Models	M / L / XL
Encoder	Incremental with Automatic Homing
Pan/Tilt resolution	300 000 Counts/rev
Pan/Tilt accuracy	0.0012°
Pan travel	720° (Software limited)
Tilt travel	43.2° (M) / 67.2° (L) / 109.2° (XL)
Max velocity	120°/s
Torque	9.6 Nm
Payload	10kg
Optical Axis Height	320mm (L) / 420mm (XL)
Remote control	IP with Web interface, SPIRIT Joystick, multiCAM Suite, UDP (SPIRIT protocol)
Genlock	Black Burst / Tri-Level
Tracking	Free-D (auto-tracked) incl. lens data (Canon or Fujinon)
Power	24Vdc 5A



FreeD compatible

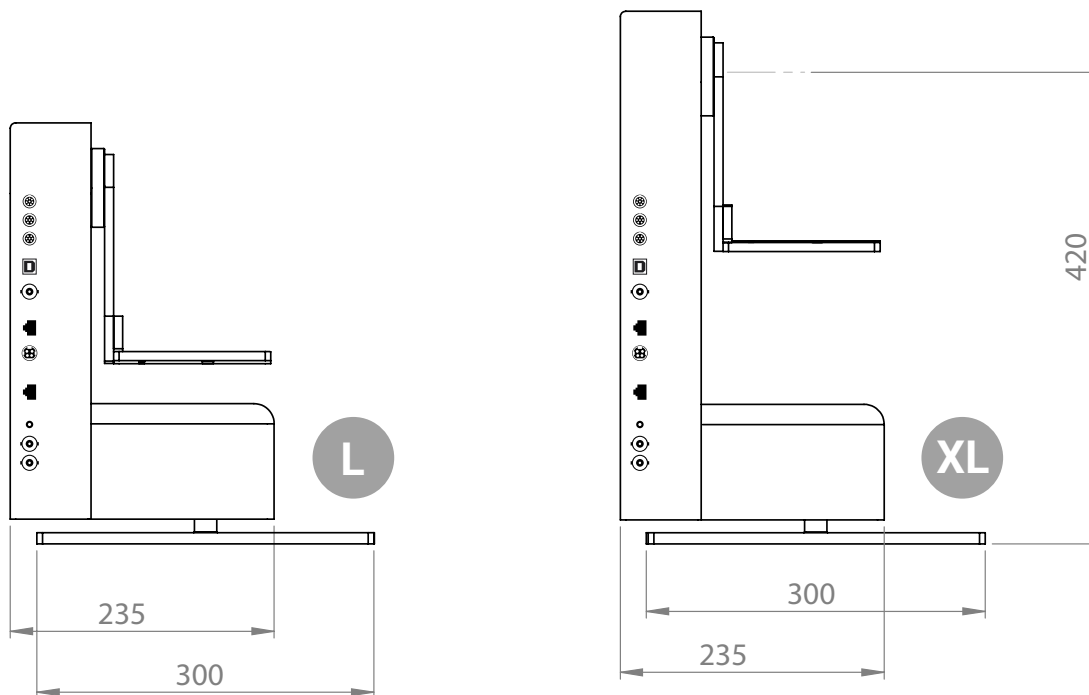
As with robotics in the SPIRIT line, SLIDE can communicate its position in space in real-time via the FreeD protocol.

Multiples connections

- ① 1. Canon or Fujinon digital optical control (lemo 8 pts)
- ② 2. Analog zoom control and coder (lemo 7 pts)
- ③ 3. Analog focus control (lemo 7pts)
- ④ 4. USB port for maintenance
- ⑤ 5. Genlock SDI IN
- ⑥ 6. Head command data
- ⑦ 7. Supply (Kycon 24V)
- ⑧ 8. Blackmagic camera control data
- ⑨ 9. IP address reset
- ⑩ 10. Blackmagic camera control via SDI IN
- ⑪ 11. Blackmagic camera control data (SDI OUT)

Different sizes: M, L, XL

SPIRIT HEAD comes in a variety of sizes In order to adapt to the different choices of camera Sizes available, SPIRIT HEAD offered in M, L and XL.



MOTORIZED SLIDER

SPIRIT **SLIDE**

Smooth and silent at any speed



SPIRIT SLIDE is a compact, slider system exclusively on straight rails. Perfect for OB vans and other semi portable uses.

Compact in size, it offers a center distance of only 200mm. Discreet, light, and quiet, it can nevertheless accommodate a robotic head and any load up to 12kg!

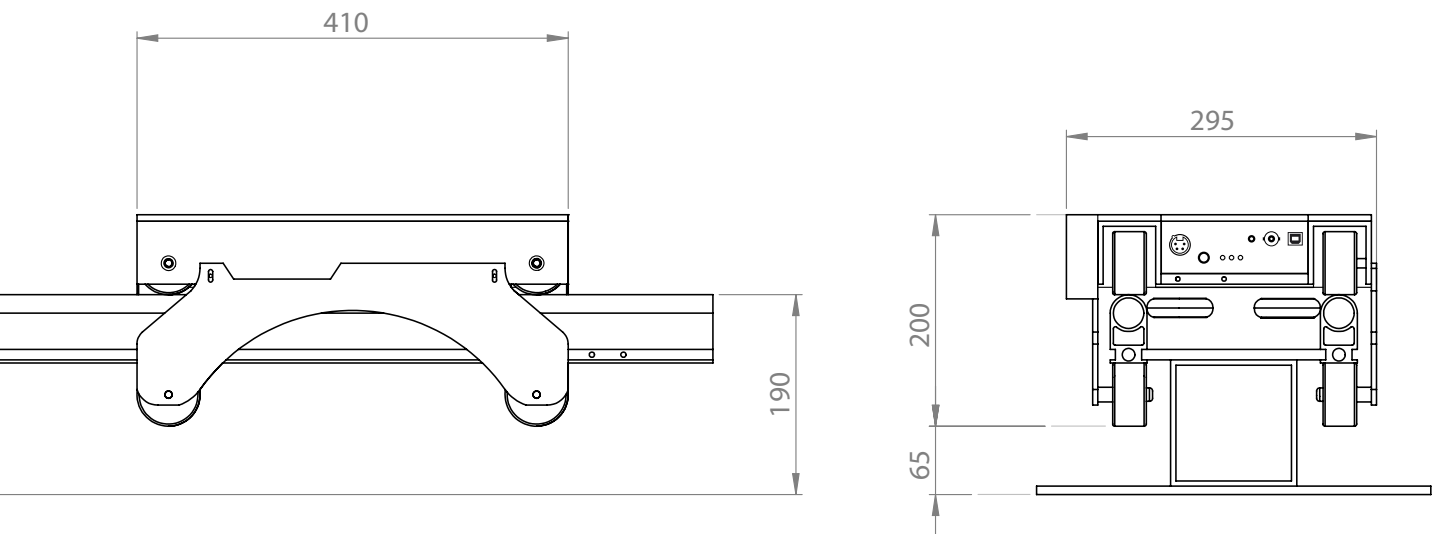
A variant of the SLIDE is available for a ceiling attachment. The rails are variable in length and interlocking. A single rail can go up to 15 meters in length!

SPIRIT

www.multicam-systems.com

multiCAM
systems

SLIDE



Technical specifications

Encoder	Incremental / Track Encoded
Resolution	1185 Counts/cm
Accuracy	0.000844 cm
Travel	18 Km
Max Velocity	0.85 m/s (Soft limited) Max theoretical 4 m/s
Torque	6.5 Nm
Remote control	IP with Web interface, SPIRIT Joystick, multiCAM Suite, UDP (SPIRIT protocol)
Genlock	Black Burst / Tri-Level
Compatibility	SPIRIT Head, PTZ, bumper
Tracking	Free-D (auto-tracking encoder) via RJ45
Power IN	24Vdc 8A
Power OUT	12Vdc (XLR 3 points)
Dimensions	410mm x 300mm x 200 mm
Weight	9.3 kg



FreeD compatible

As with robotics in the SPIRIT line, SLIDE can communicate its position in space in real-time via the FreeD protocol.

CONTROL OF PTZ CAMERAS AND ROBOTICS

PILOT

Master your camera movements
and become a smooth operator



multiCAM PILOT is an ergonomic and intuitive interface that allows you to **control up to 6 robotic cameras and program extremely accurate movement sequences.**

This is the ideal solution to minimize operating costs because an operator can control more than one camera at a time. So during a motion recall on a DOLLY, a LIFT column will move up and down continuously and the operator can manually pilot a third camera on a robotic head.

multiCAM PILOT lets you use different models of cameras under a single interface, avoiding the complexity of multiple joysticks and remote controls.

With our CONTROL PANEL, you benefit from an ultra-precise controller whose ergonomics allow operators flexible and accurate movements with lightning-fast response times.

Three control modes



PRESETS

This is the basic mode. Click on a thumbnail to quickly recall a camera position. Any changes are detected and a button allows you to quickly update and save the stored position.

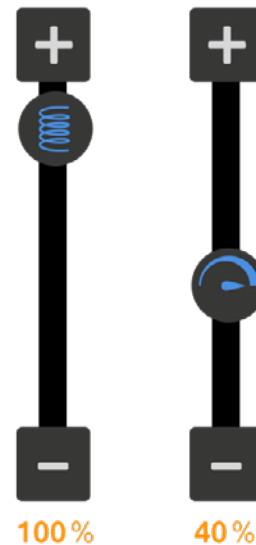


You get 6 presets per page per camera, which means 12 total presets per camera!



TRANSITION

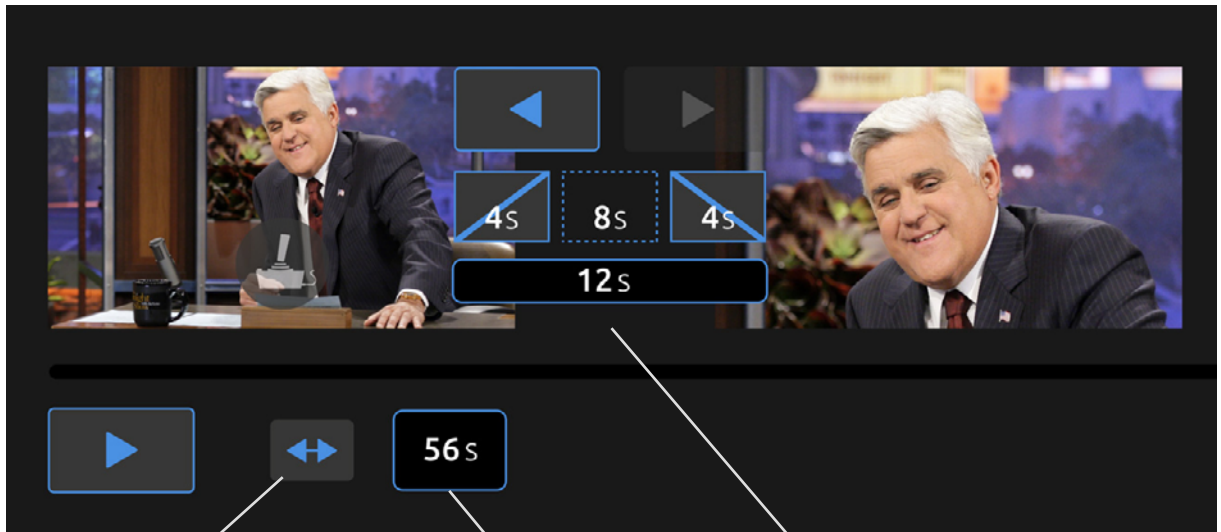
Set a time period between preset calls so that each frame is always ready for airing.





SEQUENCE

This mode is used to program motion sequences between several key positions. Thanks to the transition timings, you control each step of the the sequence.



«ping-pong» activation mode

sequence total duration

transition time including fade-in fade-out

Unified control of PTZ cameras



With its unified camera controls, multiCAM PILOT adapts to all camera models, and your operator works with a single common interface.

Presets can exclude optical data so that DIT can operate color profiles separately.

Panasonic

SONY

Technical specifications



The solution is installed in an «XS» multiCAM server.

In 3U format, it contains an video ingest card that can monitor up to 6 sources in SDI 4K. With its two screen outputs, the interface is able to output the video format needed.

Video I/O

Up to 6 x 3G-SDI

User interface

Up to 2 x écrans (DP or HDMI)

Network

Up to 2 ports Gigabit

Data/Peripherals

- 1x 128GB SSD Hard Drive (System)
- 1x 1TB 7200rpm Hard Drive (Records)
- 2x USB 2.0
- 4x USB 3.0
- 1x 1/4" Headphones Jack

The solution comes with 1 or 2 touch screens depending on the number of cameras to be controlled.

A USB Joystick is included in the package. For the most precise control, we strongly recommend the SPIRIT control desk.



CONTROL PANEL

We have designed control surfaces that allow operators precision control along with unparalleled ergonomics. With an IP connection, the desk can control the trolley and also the column, the head, the zoom, and the optical focus.

Joystick

Control the robotic head including Zoom

12x buttons

Programmable backlit buttons (camera selection, preview, ...)

Directions of control

Adjust the direction of movements

Vitesse max.

Adjusts the maximum speed of Pan, Tilt, Lift, Slide

Focus

Precise focus adjustment



And since an operator has only two hands, pedals can be added. The assignment of controls can be fully customized in PILOT.

With the pan bar tripod option, the camera operator has the same feel as if they were actually behind the camera.

EASY ROBOTICS TRACKING MANAGEMENT

TRACKER

Easily manage and combine your robotics tracking



multiCAM TRACKER is an intuitive interface that compiles tracking data from different SPIRIT robotics to **generate a single FreeD signal per camera for virtual production engines.**

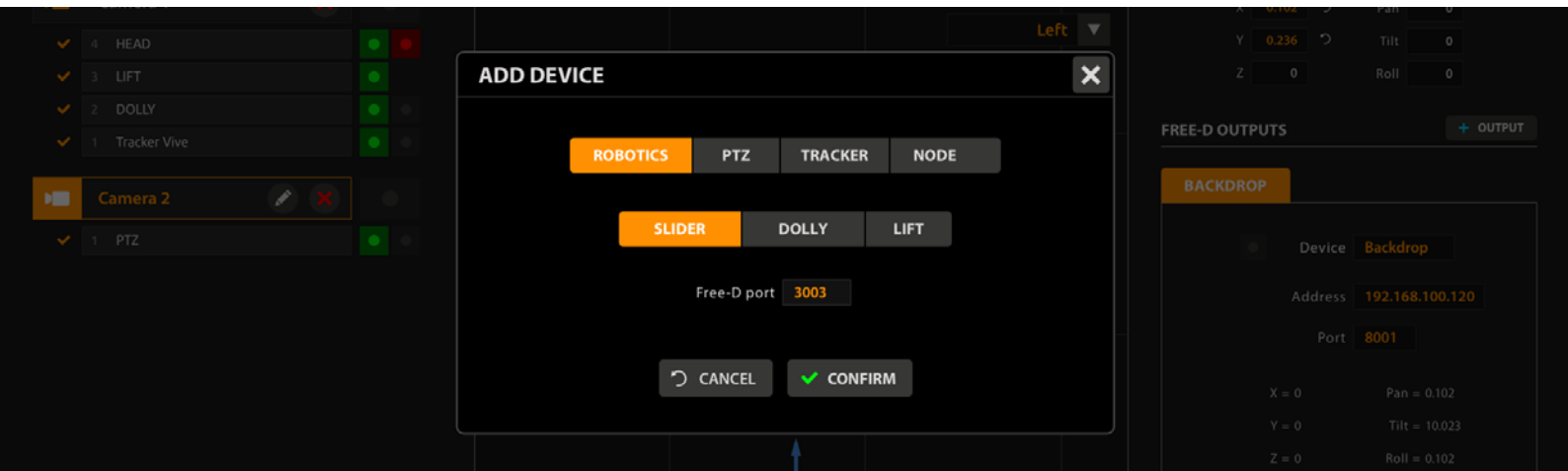
TRACKER is the simplest and most effective solution for using tracked robotics in a virtual environment.

TRACKER

The SPIRIT Slide, Dolly, Lift, and Head robotics systems are self-tracked, each delivering their XYZ and rotation motion data into space.

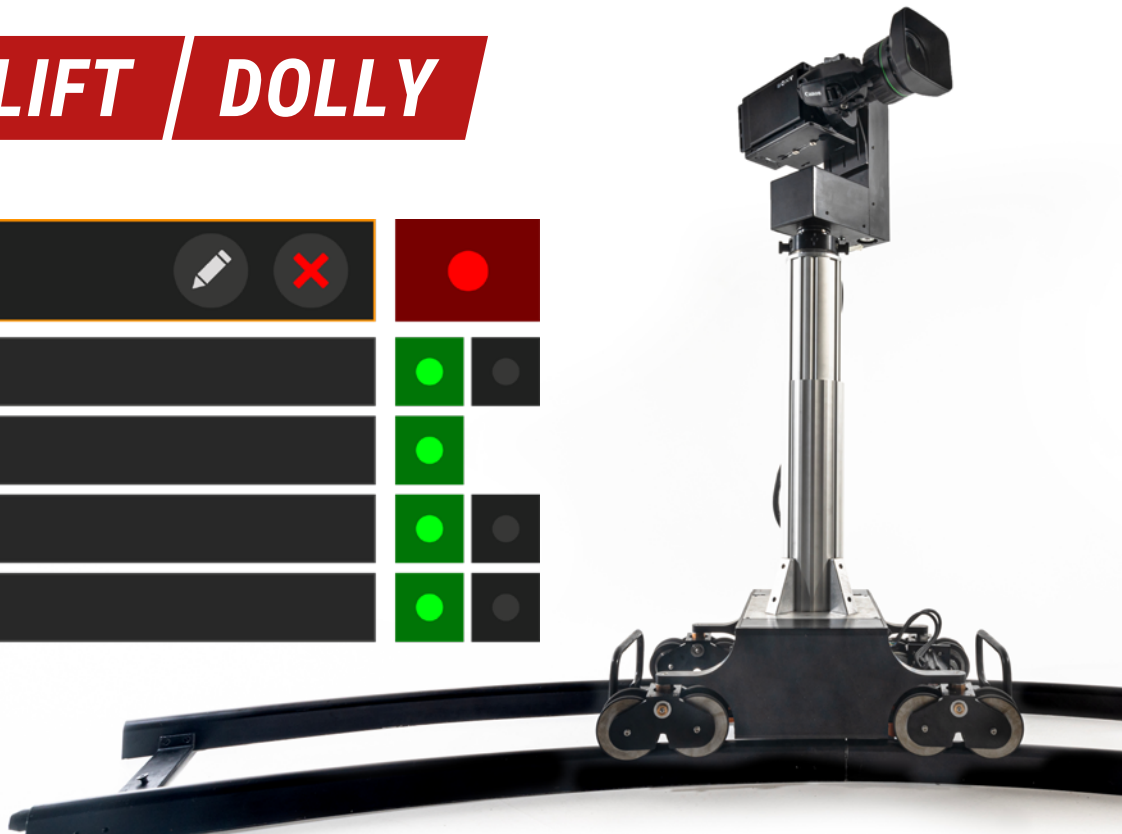
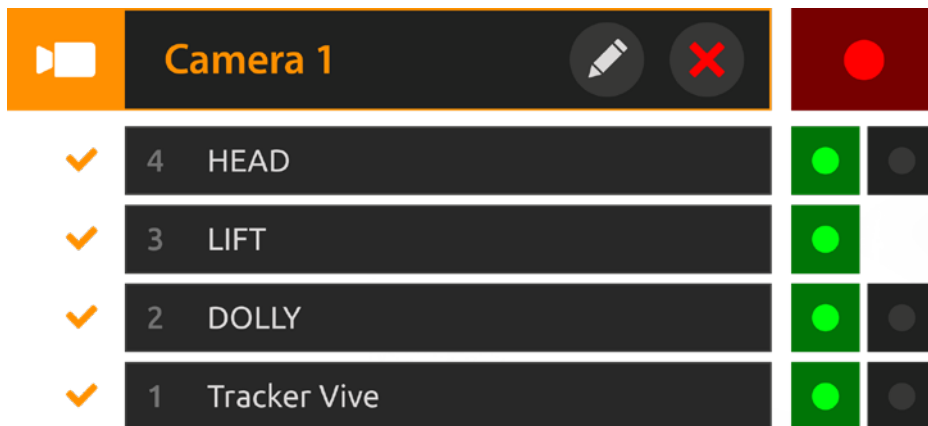
Because they can be combined into a “camera object,” TRACKER handles signal aggregation to provide a single FreeD data to the virtual production engine.

FreeD is a standard used by the most common solutions: Zero Density, Pixotope, VizRT, Avid, Backdrop, disguise...



Here is a concrete example with a Head / Lift / Dolly combination.

HEAD | LIFT | DOLLY



SPIRIT

Contact us for pricing information
and live demonstrations

sales@multicam-systems.com

multiCAM
systems

www.multicam-systems.com